

Datasheet

**VITOVOLT 200****Type P245YA, P250YA, P255YA, P260YA**

Polycrystalline photovoltaic modules
with 245/250/255/260 W_p rated output
For generating power from solar energy

Take advantage of these benefits:

- Module efficiency up to 15.9 %.
- Positive output tolerance of -0/+5 W to avoid mismatch losses.
- High mechanical load bearing capacity for high snow (5400 Pa) and wind/suction loads (2400 Pa) thanks to corrosion-resistant aluminium frame.
- Certified according to IEC 61215 and IEC 61730 to guarantee international quality standards.

Specification

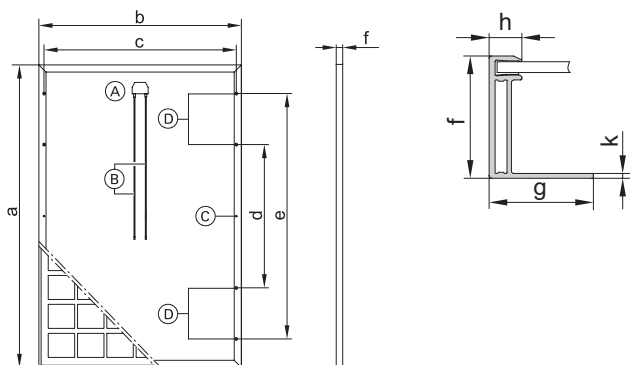
Specification

Vitovolt 200	Type	P245YA	P250YA	P255YA	P260YA
Performance data under STC¹					
Rated output P_{max}	W_p	245	250	255	260
Output tolerance	W	0/+5	0/+5	0/+5	0/+5
Voltage at MPP ² U_{mpp}	V	30.2	30.4	30.6	30.9
Current at MPP ² I_{mpp}	A	8.11	8.24	8.32	8.41
Open circuit voltage U_{oc}	V	37.8	38.4	38.7	38.9
Short circuit current I_{sc}	A	8.63	8.79	8.88	8.98
Module efficiency	%	15.00	15.3	15.6	15.9
Performance data at NOCT³					
Output P_{max}	W_p	177.9	181.1	184.7	188.3
Voltage U_{mpp}	V	27.2	27.6	27.9	28.1
Current I_{mpp}	A	6.54	6.56	6.63	6.70
Open circuit voltage U_{oc}	V	34.5	35.4	35.7	35.9
Short circuit current I_{sc}	A	6.49	7.12	7.19	7.27
Efficiency reduction at 200 W/m²	%	5	5	5	5
Temperature coefficients					
Output	%/K	-0.45	-0.45	-0.45	-0.45
Open circuit voltage	%/K	-0.33	-0.33	-0.33	-0.33
Short circuit current	%/K	0.06	0.06	0.06	0.06
Maximum system voltage	V	1000	1000	1000	1000
Maximum backup fuse value	A	15	15	15	15

¹ STC = Standard Test Conditions: Insolation 1000 W/m², cell temperature 25 °C and air mass AM 1.5.

² MPP = Maximum Power Point (for STC).

³ NOCT = Nominal Operating Cell Temperature: Insolation 800 W/m², air mass AM 1.5, wind speed 1 m/s, ambient temperature 20 °C.



- A Junction box
- B Connection cables
- C Equipotential bonding connection (ø 6 mm)
- D Installation holes (6.5 x 8)

Dimensions

Dimension	Unit	Value
a	mm	1650
b	mm	990
c	mm	946
d	mm	-
e	mm	967
f	mm	40
g	mm	32
h	mm	12
k	mm	no info

Cell type:	Polycrystalline silicon cell 156 mm x 156 mm (6 inch)
Number of cells:	60 (6 x 10)
Measuring tolerance:	± 3%
Cell embedding (material):	Ethylene vinyl acetate (EVA)
Junction box (safety category):	IP65
Frame:	Anodised aluminium alloy, silver
Front glass:	Low ferrous tempered glass, 3.2 mm
Weight:	19.1 kg
Max. load due to pressure/suction:	5400 Pa/2400 Pa
Connection:	Cables 1.1 m long with cross-section of 4 mm ² , with MC4/IP67 or YT08-I/IP67 or Amphenol H4 IP68 plug-in connector

Static requirements:	Roof construction with sufficient load-bearing capacity to withstand wind forces
Safety category:	II
Application class:	A
Shipping unit:	26 pce per pallet

Product warranty

From the manufacturer for 10 years in accordance with warranty certificate.

Performance warranty

From the manufacturer in accordance with warranty certificate

Year 10: 91.2 % of rated output

Year 25: 80.7 % of rated output

Note

For manufacturer's warranty conditions, see www.viessmann.de/Login.

Product warranty from Viessmann for 5 years.

Tested quality

Certified according to: IEC 61215, IEC 61730

Manufactured in factories certified to ISO 9001 and 14001.

CE designation according to current EC Directives.